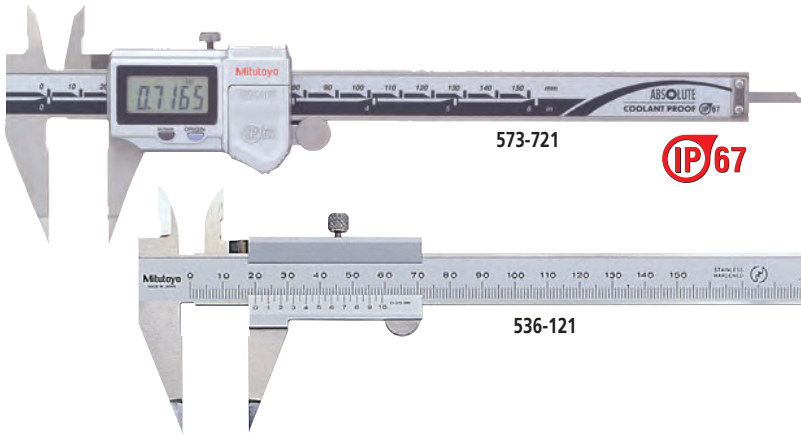


Point Caliper

SERIES 573, 536 — ABSOLUTE Digimatic and Vernier Type

FEATURES

- Narrow tip jaws fit into very small grooves and tracks, making many previously difficult outside measurements far easier to obtain.
- With depth bar.
- With SPC data output. (Series 573)
- Supplied in fitted plastic case.



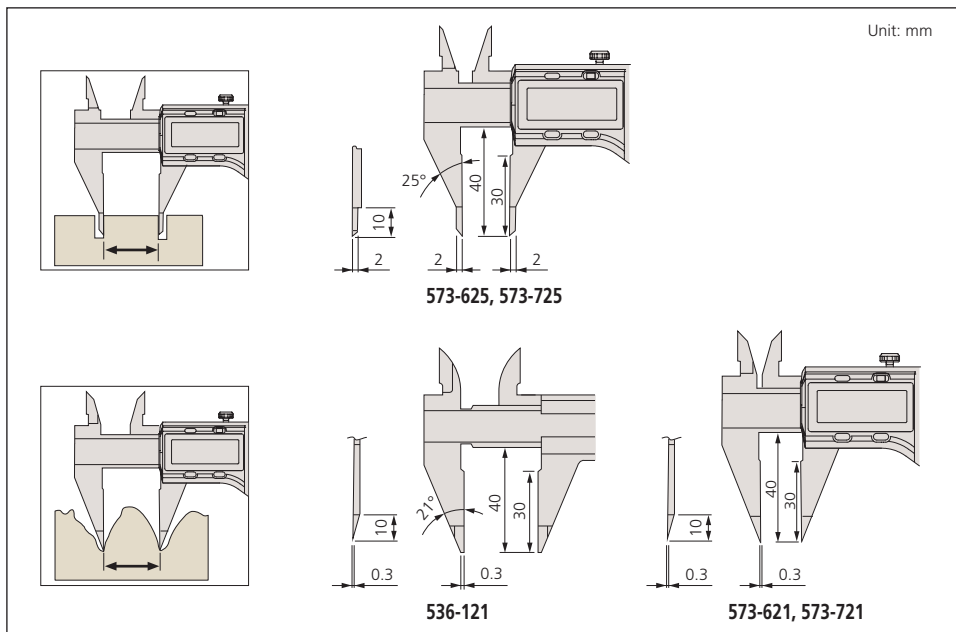
SPECIFICATIONS

| Metric | | Digital model | | |
|-----------|----------------|---------------|------------|----------|
| Range | Order No. | Accuracy | Resolution | Mass (g) |
| 0 - 150mm | 573-621 | ±0.02mm | 0.01mm | 163 |
| 0 - 150mm | 573-625 | ±0.02mm | 0.01mm | 163 |

| Inch/Metric | | Digital model | | |
|--------------------|----------------|---------------|-----------------|----------|
| Range | Order No. | Accuracy | Resolution | Mass (g) |
| 0 - 6" / 0 - 150mm | 573-721 | ±.001" | .0005" / 0.01mm | 163 |
| 0 - 6" / 0 - 150mm | 573-725 | ±.001" | .0005" / 0.01mm | 163 |

| Metric | | Vernier model | | |
|-----------|----------------|---------------|------------|----------|
| Range | Order No. | Accuracy | Graduation | Mass (g) |
| 0 - 150mm | 536-121 | ±0.05mm | 0.05mm | 150 |

DIMENSIONS



Technical Data

Accuracy: Refer to the list of specifications.
 Resolution*: .0005"/0.01mm or 0.01mm
 Graduation**: 0.05mm
 Display*: LCD
 Length standard*: ABSOLUTE electrostatic capacitance type linear encoder
 Max. response speed*: Unlimited
 Battery*: SR44 (1 pc.), **938882**
 Battery life*: Approx. 3.5 years under normal use
 *Digital models **Analog models

Function of Digital Model

Origin-set, Zero-setting, Power On/Off, Data output, inch/mm conversion (on inch/metric models only)
 Alarm: Low voltage, Counting value composition error

Optional Accessories for Digital Model

05CZA624: SPC cable with data switch (40" / 1m)
05CZA625: SPC cable with data switch (80" / 2m)

